

# GEOFIRE

INNOVATORS OF FIRE TECHNOLOGY

- 24Vdc OR 230Vac SUPPLY VOLTAGE
- ZERO RESIDUAL FORCE
- 200N - 500N HOLDING FORCE
- FIRE RESISTANT ABS CASING
- APPROVED TO EN1155 AND CE MARKED
- HIGH QUALITY COST EFFECTIVE PACKAGE
- INCLUDES FITTING INSTRUCTIONS
- UL LISTED VERSION AVAILABLE  
FILE R25547

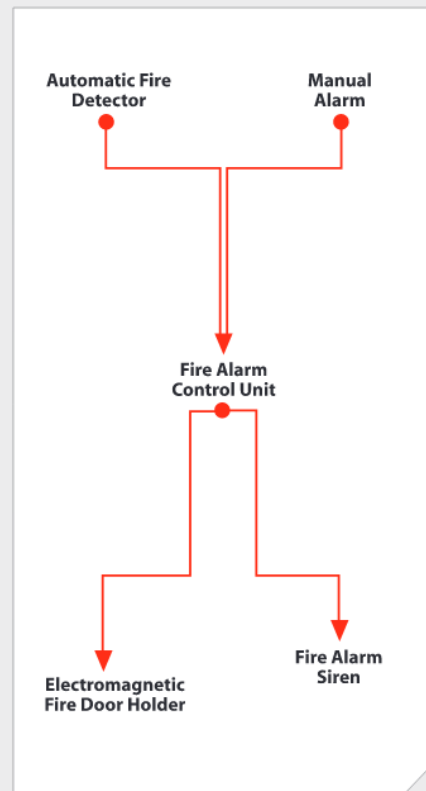


Electromagnetic fire door holders are designed to hold open fire doors in any areas where easy access is essential in relation to the Equality Act, and can be used in conjunction with any suitable fire alarm systems. When an alarm is triggered, power to the door holder is cut, allowing the fire door fitted with it's standard closing mechanism, to shut automatically. Doormouse door holders are fitted with an integral manual release button, allowing the door to be closed without operating the fire alarm.

The Doormouse door holder is surface mounted, and is housed in a white fire resistant ABS casing. Type tested to meet EN1155, knockouts for surface or back cable entry, and a spring loaded pin to give zero residual holding force when de-energised.

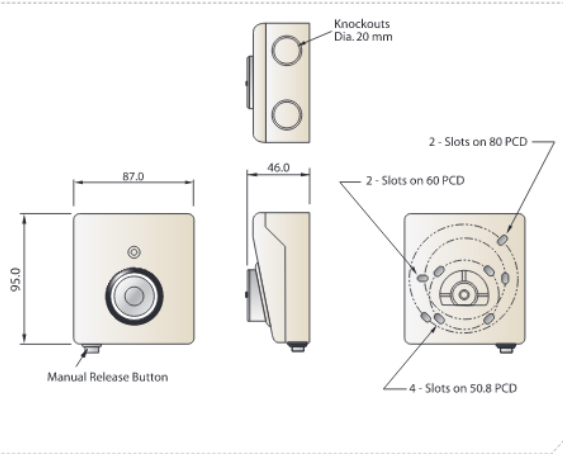
The 230Vac unit includes a filter for EMC emissions and is CE marked. Internal diodes dissipate any "back EMF" on switch-off, reducing wear at the control unit.

The Doormouse is ideal for use in any public access areas including hospitals, offices, hotels and nursing homes.



## DOORMOUSE - WALL MOUNTED ELECTROMAGNETIC FIRE DOOR HOLDERS

### DOORMOUSE ASSEMBLY



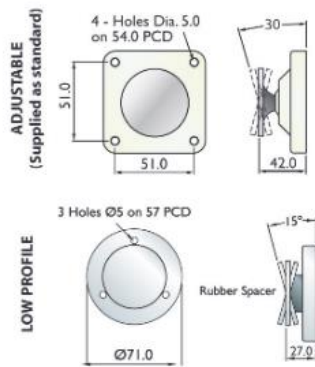
### TECHNICAL INFORMATION

Supply voltage	24Vdc or 230Vac
Holding force	200N or 500N
Power rating	1.15W
Residual holding force	Zero
Ambient temperature	0 - 40°C
Protection	IP 51
Casing	White fire-res'nt ABS
Weight	360g / 500g

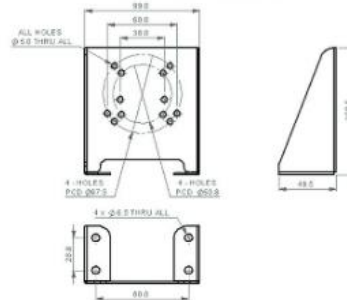
### Part numbers

<b>200N :</b>	3-87-0370 (24Vdc)
	3-87-0371 (230Vac)
	3-87-0351 (UL - 24V)
	3-87-0352 (UL - 230V)
<b>500N :</b>	3-87-0551 (24Vdc)

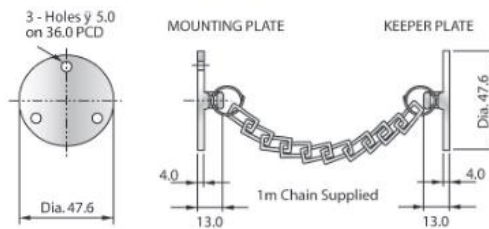
### KEEPER PLATES:



### DOORMOUSE FLOOR MOUNTING BRACKET



### CHAIN KEEPER



# AGRIPPA SOUND ACTIVATED DIGITAL FIRE DOOR HOLDER

- DIGITAL SOUND ACTIVATED FIRE DOOR HOLDER
- LEARNS THE SOUND OF YOUR FIRE ALARM
- EASY, WIRE FREE INSTALLATION AND PROGRAMMING
- DAILY TIMED RELEASE OPTION
- 200 N HOLDING FORCE
- TWO ALKALINE C CELL BATTERIES
- CONFORMS TO EN1155 AND CE MARKED



The Agrippa fire door holder learns the sound of your specific fire alarm, releasing the door in the event of a fire.

This new innovation in the industry is also wire free, so it can easily be retrofitted to any door. The releasing trigger reacts to a particular sound rather than simply a loud noise, significantly reducing false activations.

The holder is easy to install, only requires C cell batteries (which last for 12 months) and can be programmed for daily release. Suitable for installation to BS 7273-4 Standard Actuation (Category B).

Other features include a seven segment LED display, manual release button and a low battery warning display.

Ideally suited to environments such as care homes, schools and hospitals where it is essential to have doors in an open position at certain times of the day to aid access, but equally as important to ensure the doors are closed in the event of a fire.

The holder is part of the Agrippa suite of products, which also includes a sound activated fire door closer.

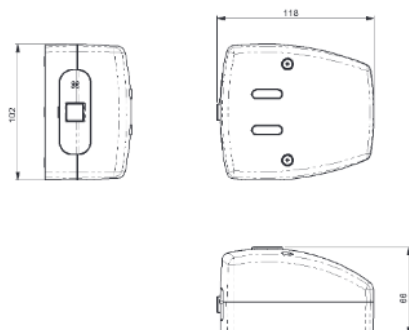
## TECHNICAL INFORMATION

Holding force	200 N
Power size	5
Default setting	70dBA, 1.2 - 3.0 kHz
Preferred sounder	Continuous tone *
Dimensions	L-118 x W-102 x D-66
Standard finish	White
Finish	Part number
Standard white	3-80-0060
Polished brass	3-80-0062
Black	3-80-0066

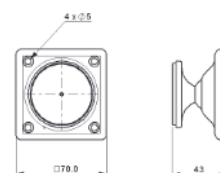
\* Not suitable for domestic smoke detector alarms or voice alarm systems

Patented in the United Kingdom under patent number 2507582

Part Number : 3-80-0060



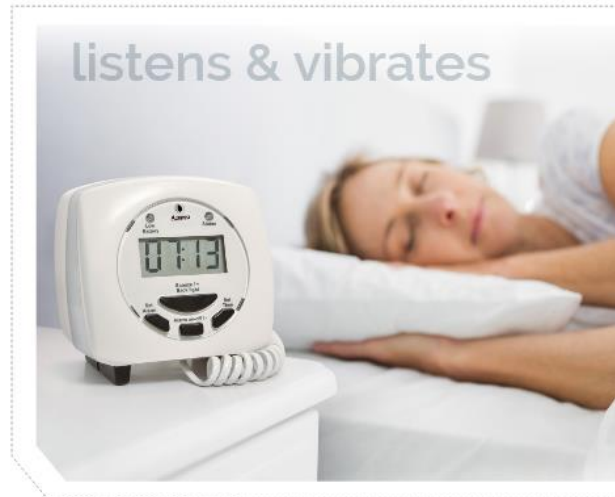
Keeper Plate



# AGRIPPA ACOUSTIC DIGITAL PILLOW ALARM

0

- NO INSTALLATION
- PORTABLE DEVICE
- TWO PRESET TRIGGER LEVELS PLUS ALARM LEARNING FUNCTION
- FLASHING WHITE LED VISUAL WARNING
- BUILT IN CLOCK WITH WAKE-UP ALARM
- VISUAL LOW BATTERY WARNING
- LCD BACK LIGHT DISPLAY
- STYLISH BEDSIDE DESIGN



The Agrippa pillow alarm is a battery powered, wire-free unit with a pad attachment that simply goes under a pillow. It uses digital wire-free technology that listens for the unique sound of a specific fire alarm.

If the fire alarm sounds the pillow pad vibrates, high intensity LED lights flash and an LCD screen displays 'fire'. As it's compact and portable it can be moved around a building as required.

The Agrippa pillow alarm is the convenient solution to cater for the safety of the deaf and hard of hearing as required by the Equality Act.

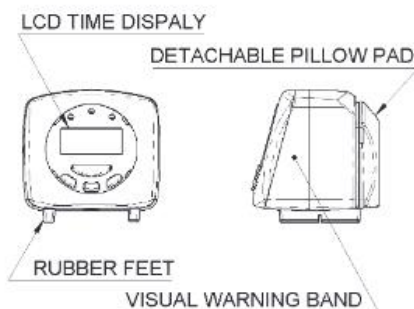
Ideally suited to environments such as hotels and hospitals where it is essential to alert the deaf or hard of hearing when a fire alarm is sounding.

The pillow alarm is part of the Agrippa suite of products, which also includes an acoustically triggered fire door closer and holder.

## TECHNICAL INFORMATION

Battery type	4 x AA batteries
Default setting	70dB - 75dB, 1.2 - 3.0 kHz
Preferred sounder	Continuous tone *
Dimensions	L-120 x W-120 x D-90
Standard finish	White
Part number	3-80-0045
Weight	380g

\* Not suitable for voice alarm systems



# AGRIPPA ACOUSTIC DIGITAL DOOR CLOSER

- DIGITAL ACOUSTICALLY TRIGGERED DOOR CLOSER
- LEARNS THE SOUND OF YOUR FIRE ALARM
- EASY, WIRE FREE INSTALLATION AND PROGRAMMING
- DAILY TIMED RELEASE OPTION
- HOLDING ANGLE 65-105 DEGREES
- TWO ALKALINE C CELL BATTERIES
- APPROVED TO EN1155, EN1154 AND CE MARKED



The Agrippa door closer learns the sound of your specific fire alarm, releasing the door in the event of a fire.

This new innovation in the industry is also wire free, so it can easily be retrofitted to any door. The releasing trigger reacts to a particular sound rather than simply a loud noise, significantly reducing false activations.

The closer is easy to install, only requires C cell batteries (which last for 12 months), can be programmed for daily release and has adjustable closing speeds. Suitable for installation to BS 7273-4 Standard Actuation (Category B).

Other features include a seven segment LED display, manual release button and a low battery warning display.

Ideally suited to environments such as care homes, schools and hospitals where it is essential to have doors in an open position at certain times of the day to aid access, but equally as important to ensure the doors are closed in the event of a fire.

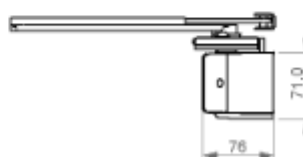
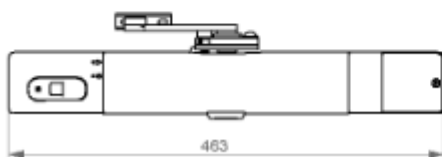
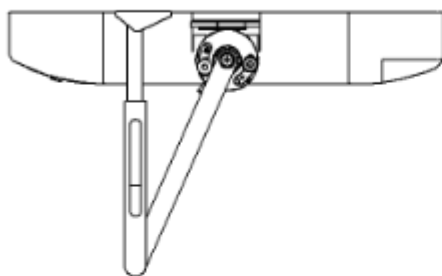
The closer is part of the Agrippa suite of products, which also includes an acoustically triggered fire door holder.

## TECHNICAL INFORMATION

Hold open type	Free-swing
Power size	4
Default setting	70dBA, 1.2 - 3.0 kHz
Preferred sounder	Continuous tone *
Dimensions	L-463 x W-71 x D-76
Standard finish	Silver
Finish	Part number
Standard silver	3-80-0070
Polished brass	3-80-0071
Polished chrome	3-80-0072
Brushed stainless steel	3-80-0073
Black	3-80-0075

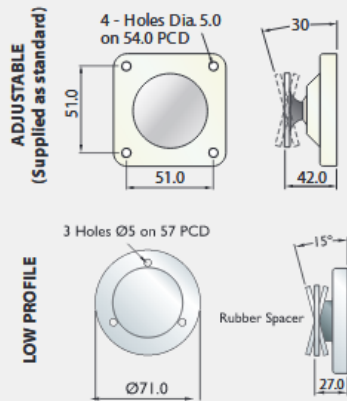
\* Not suitable for voice alarm systems  
Patented in the United Kingdom under patent number 2507582

Part Number : 3-80-0070

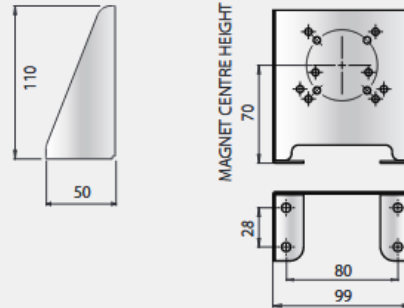


# DOOR HOLDER ACCESSORIES

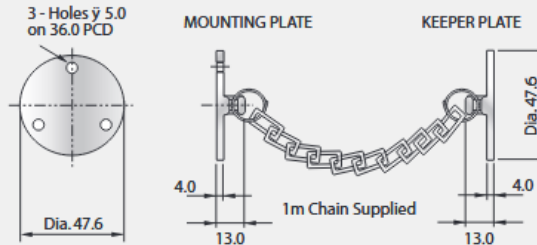
## KEEPER PLATES:



## FLOOR-MOUNTING BRACKET



## CHAIN KEEPER





## Dimensions

### Description

This rugged, versatile design of door magnet can be used for many different door holding applications. With the magnet set as shown in the photograph, the door holder can be floor or ceiling mounted. Turn the magnet through 90° and the door holder is in wall mounting configuration.

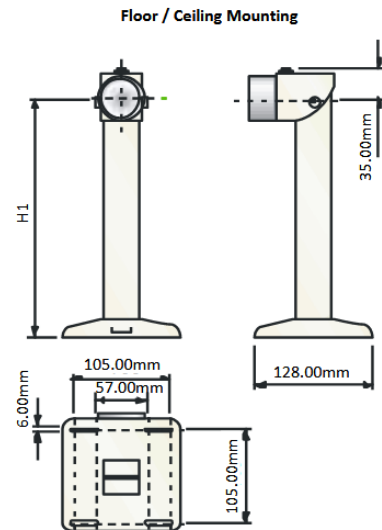
The stand and adjustable head are fabricated from steel providing a very robust structure. A moulded cover is included to conceal the mounting fixings once the holder is fitted.

The pole is available in two standard lengths, but can easily be cut down to shorter lengths on site. For special lengths and voltages please check with our Sales Office.

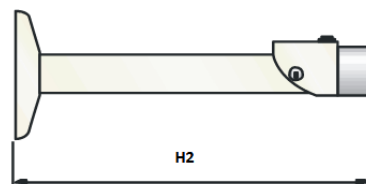
### Technical Information

Ref:	DRP-S500	DRP-L500	DRP-S1000	DRP-L1000
H1: Magnet 90%	183mm	283mm	183mm	283mm
H2: Magnet 180%	250mm	350mm	250mm	350mm

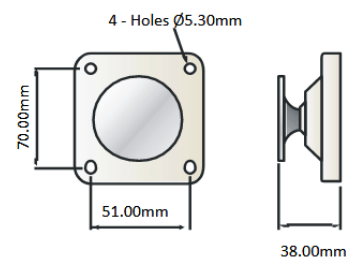
Part No.	DRP-S500	DRP-L500	DRP-S1000	DRP-L1000
Supply Voltage:	24Vdc ± 10% 50Hz			
Current consumption:	47mA		76mA	
Rated Holding Force:	500N (51kg)		1000N (102kg)	
Maximum Holding Force:	750N (79kg)		1300N (132.6kg)	
Residual Holding Force:	ZERO			
Release Switch:	YES			
Protection:	IP51			
Keeper Adjustment:	± 30°			
Weight (per unit packed):	1500g	1600g	1900g	2000g
Door Closer, Power Size:	3 - 6			



### Wall Mounting



### Keeper Plate



For more information on these products, please contact us:



T: 00353 47 86274 / 00353 47 86663

E: Sales@irishsafetysystems.ie