



ViLX-228

2 to 8 Line Master Station

All Lexicomm Emergency Voice Communications Systems (EVCS) are designed to comply fully with the requirements of BS5839-9:2011 for use as a fire telephone system (FT), disabled refuge system (DRS) or as a combined system when both fire telephones and disabled refuge call points are required.



Key Features:

- ◇ **Compact Design**
- ◇ **Fully Compliant to BS5839-9: 2011**
- ◇ **Integrated Assist Call and acknowledge meeting BS8300**
- ◇ **1.5A EN54-4:A2 PSU**
- ◇ **Full Duplex operation**
- ◇ **Wall mount enclosure**
- ◇ **Lockable handset cover**
- ◇ **Expandable from 2 to 8 lines**
- ◇ **Inbuilt networking**

An EVCS is a fixed, secure, bi-directional, full duplex voice communication system to assist fire fighters during emergencies in high rise buildings or large sites where radio communication cannot be guaranteed to work due to interference from the fire corona.

The Lexicomm ViLX-228 Master station can accept up to eight lines of outstation, (type A fixed phones, type B refuge hands free points, emergency assist call point or jack points in Far East and Middle East applications) as required.

Lines auto identify by flashing Red for EVCS calls, Blue for assist calls or flashing Green for Connected calls as detailed in BS5839pt9:2011

Assist Calls can be acknowledged by pressing the zone key (as required by BS8300) and will return to alarm if not reset within two minutes.

The ViLX228 has inbuilt networking allowing it to form one of the 64 panels on a Lexicomm network installation, or allowing a repeater using another ViLX228, where buildings have two points of control.

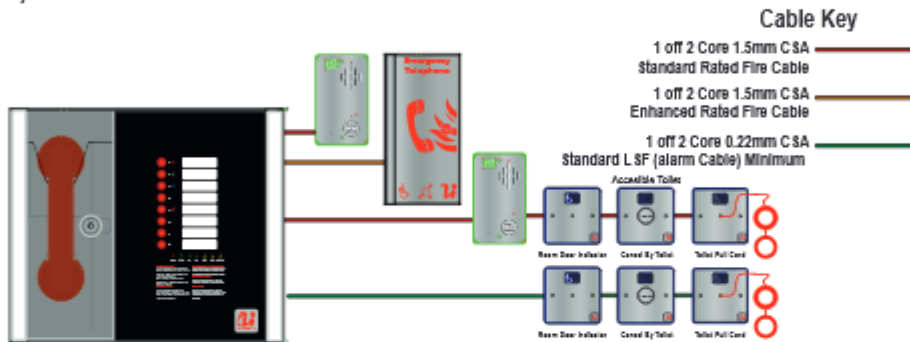
Starting at two lines the ViLX228 is ideal for small buildings which are required to have an EVCS, but which have a limited number of outstations.

The Lexicomm LX228 is a self contained enclosure housing a master handset, one to four dual line cards, an EN54-4:A2 2006 power supply & battery charger and can be surface or flush mounted (Using the ViLXCBZ Bezel)

The case is made from powder coated zintec, with a smoked perspex door covering the handset. 20mm cable knockouts are provided for all necessary cables as well as space for the backup 12V VRSLA battery.

The master station is microprocessor controlled, but requires no programming on site; the panel is fitted with end of line resistors which are simply moved to the end of line when an outstation is connected.

Lines can have an accessible toilet and Type B refuge point on the same line, as the front panel RGB indicators identify which is calling, with refuge overriding emergency assist calls as required by BS5839-9:2011.



Technical Specification

Power Supply and Charger

AC input	230VAC +/- 10% 50/60Hz
Internal supply	5V, 16V, 27V DC
Supply	Monitored Open, Short, Fuses, High Impedance
Protection	Deep discharge, Short, Thermal
Battery type	1 x 12V 7AH VRSLA
Mains fuse	240V 1A HRC
Battery fuse	750mA PTC
Charge current	400mA

Inputs

Lines	2-8 in 2 line blocks
Remote enable	Short to use
End of line	10KΩ

Outputs

Number	2, Fault & In use
Type	Volt free relay
Contact	30V DC 1A

Controls

Buttons	8 Zone keys
Zone LEDs (x8)	RGB Status leds
Fault LEDs	3, PSU, System, General
Supply LEDs	2, AC ,DC present

Network Cables

Type	Enhanced*
Cores	2x2 core 1mm or 1.5mm
Distance	500m

Standards Compliance

EMC	EN55103-1,EN55103-2
LVD	EN60065
Product Family	BS5839-pt9, BS9999, BS8300

Dimensions

	Panel	Bezel	Cutout
Height	300mm	350mm	305mm
Width	350mm	400mm	355mm
Depth	95mm	1mm	85mm
Weight	6.5Kg		

*Refer to BS5839-9:2011 for exceptions

For more information on these products, please contact us:



T: 00353 47 86274 / 00353 47 86663

E: Sales@irishsafetysystems.ie