

VESDA[®]

ILS-1 & ILS-2



The ICAM ILS systems provide Air-sampling Smoke Detection solutions to meet the unique needs of numerous commercial and industrial applications. ILS systems are suitable for both medium sensitivity and multi-hole Class C applications.

How it Works

The ILS systems actively draw air from the protected area through sampling holes in a pipe network. Sampled air is then filtered before being analyzed by medium sensitivity spot (point) detectors incorporated in the systems. Alarm states (Alert, Action or Fire) are reported by activating functional LEDs in the display and dry contact relays.

The systems utilize a high performance aspirator and software configurable flow monitoring circuitry. Air flow is displayed on a ten element bar graph that can be adjusted for high and low flow thresholds, and flow failure is reported as a device fault via dedicated fault relays.

Programming & Diagnostics

The sensitivity thresholds for each of the three alarm levels, fan speed and flow sensitivity can be individually programmed. A USB interface provides a connection to a PC for system configuration. The ILS system can also be locally configured through an integrated programming interface.

Features

- Single or dual channel smoke detection
- Air-sampling smoke detection
- Multiple detection strategies
- 100 m (328 ft) per sampling pipe
- Microprocessor controlled and programmed
- Highest fan capacity in its class
- Integral display and programmer
- Field serviceable air filter
- Adjustable aspirator speed with airflow monitoring
- IP65 enclosure

Configuration Options & Detection Strategies

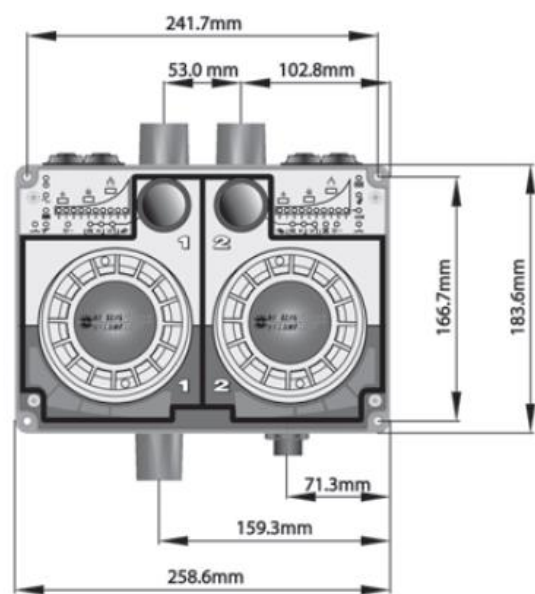
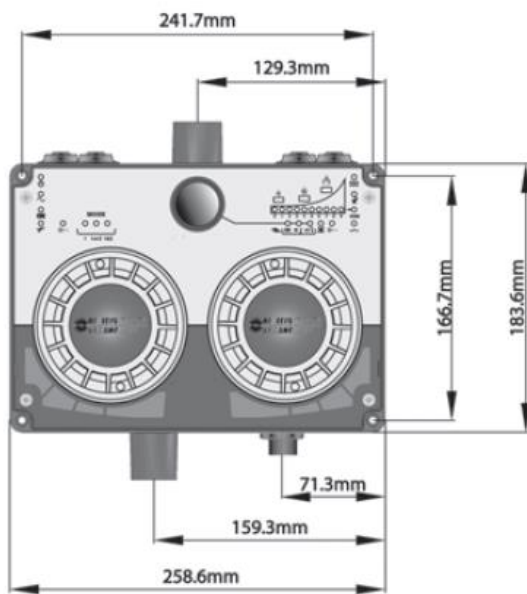
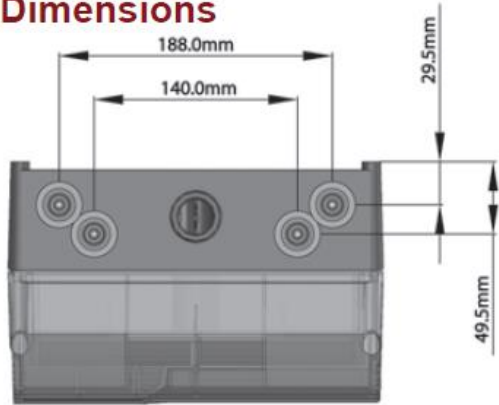
The ILS system is available with one inlet pipe (ILS-1) or two inlet pipes (ILS-2), and can be fitted with one or two detectors per system. The available options for the ILS-1 and ILS-2 systems are:

- ILS-1 system – one or two spot (point) detectors
- ILS-2 system – two spot (point) detectors

ILS-1 systems fitted with one spot (point) detector are capable of providing single area detection, but ILS-1 and ILS-2 systems fitted with two detectors can be configured for a number of detection strategies. The table below describes the possible detection strategies for ILS systems fitted with two spot (point) detectors.

		ILS-1	ILS-2
Detection Strategy	Dual Addressable Areas		✓
	Redundancy *	✓ (OR)	
	Coincident / Double-Knock [†]	✓ (AND)	✓ (AND)

Dimensions



For more information on these products, please contact us:



T: 00353 47 86274 / 00353 47 86663

E: Sales@irishsafetysystems.ie