

Touch-Screen Master Station

ViLX-TMS3-W-8



All Lexicomm Emergency Voice Communications Systems (EVCS) are designed to comply fully with the requirements of BS 5839-9:2021 for use as a fire telephone system (FT), disabled refuge system (DRS) or as a combined system when both fire telephones and disabled refuge call points are required.

- 4.3" Full colour touchscreen
- Fully compliant to BS 5839-9:2021
- Integrated AssistCall with acknowledge meeting BS 8300-2:2018
- Full duplex operation
- Alarm icon choice
- Expandable from 2 to 512 lines
- Dual redundant fault tolerant network
- Peer-to-peer network
- Pager serial output port

Overview

An EVCS is a fixed, secure, bi-directional, full duplex voice communication system. It can provide either disabled refuge system functions and provide a fire telephone system where required. The LexicommPro system is suitable for small to medium installation but is particularly suited to large multistorey and campus sites due to its superior network capability.

System Architecture

The range consists of a touchscreen master station, touchscreen repeater and system expander panels. These panels are connected via a dedicated secure network of up to 64 panels. Each master station or expander panel can have eight radial lines wired from it, this gives a system capacity of 512 lines.

Touchscreen Interface

Control and indication functions utilise a 4.3" colour touchscreen, this intuitive user interface makes use of icons wherever possible, which simplifies the user experience. Extensive logging of all functions can be accessed via the screen, this information is stored on the micro SD card and can be analysed in a daily spreadsheet format.

Outstation Range

The full range of Lexicomm outstations are compatible and include Type A outstations, Type B outstations, Type C outstations and jack points for use in far and Middle East applications. Lines will show on the screen when activated,

allowing for the use to answer EVC call and acknowledge assistance alarms.

Emergency Assistance Alarms

The AssistCall range of emergency assistance alarms is fully compatible. It has become very popular to add these devices as an integrated system. This has several benefits, namely: fault monitored wiring, fully line powered (no mains supply), battery back-up via the master station.

Alarm Icon Configuration

Icons used for alarm purposes can be altered for alternative uses, examples are: pool alarm, panic alarm, medicine cabinet alarm and fire door monitoring.

Pager Output

The TMS3 master station has the facility to connect to a Scope CX6 pager system via the optional adapter board. This provides text location text information for EVC outstations and AssistCall emergency assistance alarms.

AssistCall Repeater

The ViLX-ACR AssistCall Repeater can now be connected to the TMS3 master station directly via the Adapter board. This is ideal for reception areas providing notification of emergency assistance alarm activation. See relevant datasheet for full information.

Touch-Screen Master Station

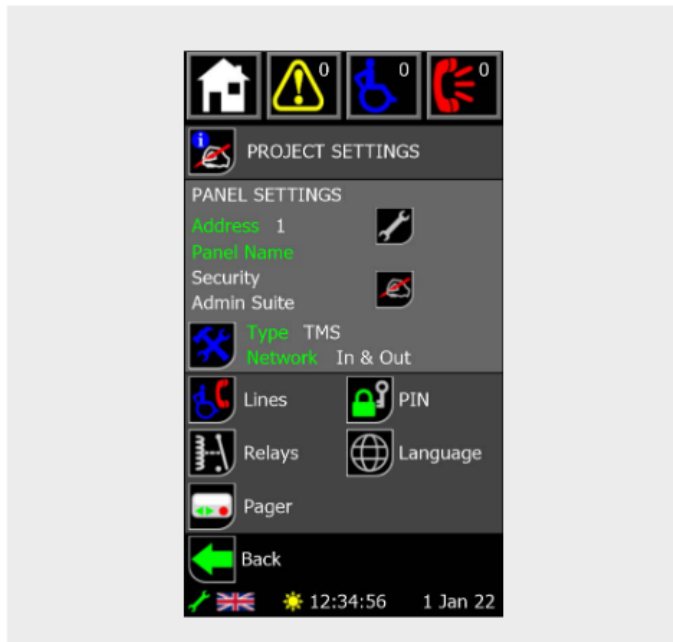
VILX-TMS3-W-8

Larger Sites

The Lexicomm Network system is particularly well suited for larger projects as it can accommodate multiple master station positions where alternative points of control are required. The Lexicomm Network system can be easily extended by simply adding a system expander panel where the additional lines are required.

Configuration

The touchscreen display allows for extensive configuration menus. An engineer can configure a single panel through to a multi-panel network all from one position without the need for a PC, all configuration being held on a micro SD card.



Details VILX-TMS3-W-8

Inputs

Lines	2-8 in 2 line blocks
Remote enable	Short to use
End of line	10kΩ

Outstation Cables

Type	Cores	Distance from Master Station
Standard*/Enhanced	1x 2 core radial 1mm or 1.5mm	500m

Outputs

Number	2, Fault & In use
Fault Relay	1x Volt free NC, Com 30V DC 1A
In Use Relay	1x Volt free NO, Com 30V DC 1A

Controls

Navigation Buttons	3 push button navigation keys
Fault indicators	AC, DC, PSU Status CPU fault indicator
Statutory indicators	General fault indicator RGB mode indicator AC DC Present
Touchscreen	4.7" RGB touchscreen

Network Cables

Type	Cores	Distance max between panels
Standard*/Enhanced	2x 2 core loops, 1mm or 1.5mm (2C Data 2C Audio)	500m

Standards Compliance

EMC	EN 55035:2017+A11:2020 EN 55032:2015+A1:2020
LVD	EN IEC62368-1:2020+A11:2020

Product Family	BS 5839-9: 2021, BS 9999:2017, BS 8300-2:2018
----------------	--

Dimensions

	Panel	Bezel	Cut-out
Height	300mm	350mm	305mm
Width	350mm	400mm	355mm
Depth	95mm	1mm	85mm
Weight	4.5kg		

Part Numbers

Touch Screen Master Station	VILX-TMS3-W-8
-----------------------------	---------------

*Refer to BS 5839-9:2021 for exceptions

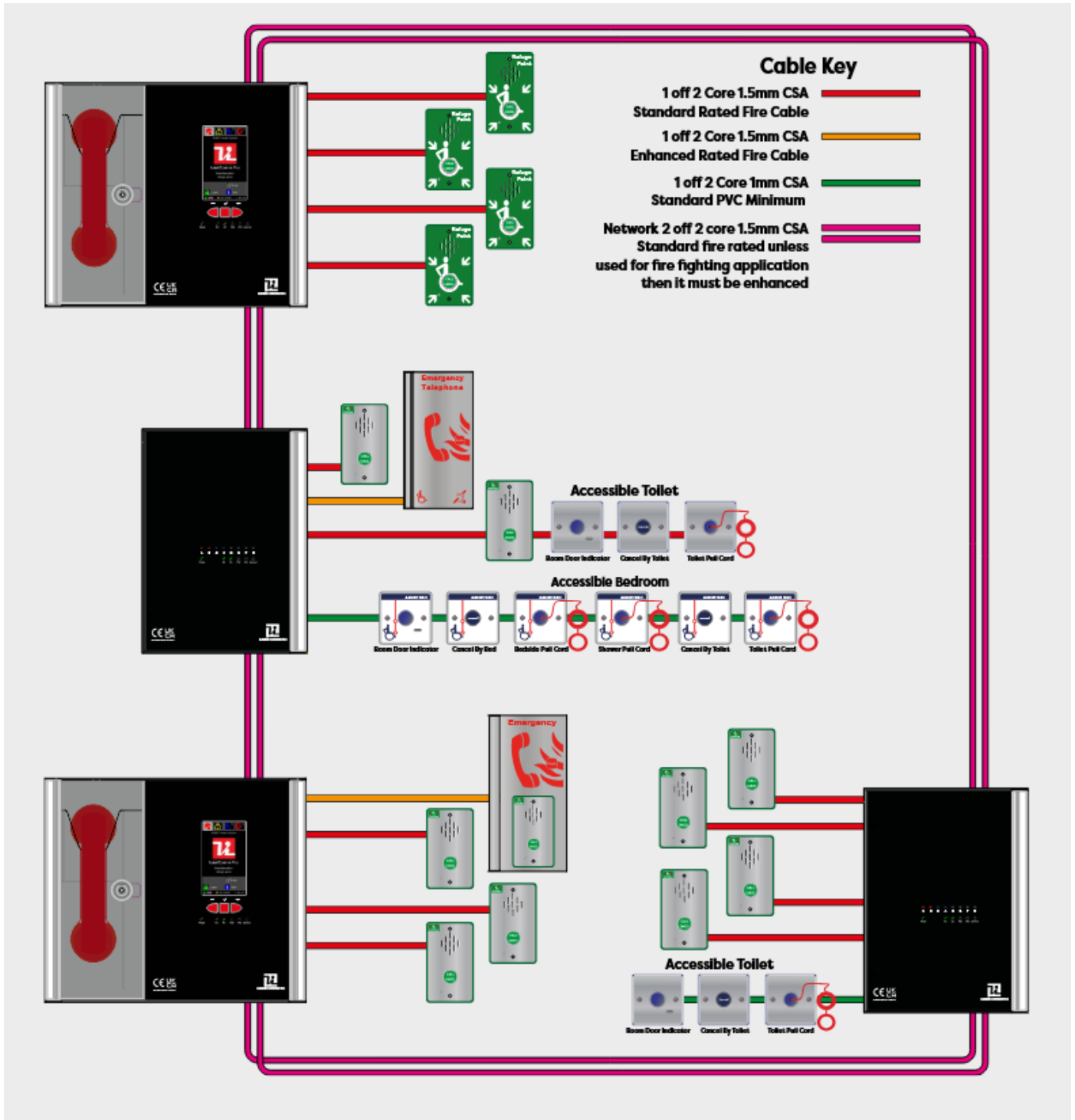
Technical Specification

Details VILX-TMS3-W-8

Power Supply and Charger

AC Input	230VAC +/- 10% 50/60Hz
Internal supply	5V, 15V, 27V DC
Supply and battery	Monitored Open, Short, Fuses, High Impedance
Protection	Deep discharge, Short, Thermals
Battery type	1x 12V 7AH VRSLA
Mains fuse	240V 1A HRC
Battery fuse	750mA PTC
Max charge current	680mA

Touch-Screen Master Station ViLX-TMS3-W-8



For more information on these products, please contact us: