

Four Zone Controller

ViAC-4ZC-SS



- Fully compliant to BS 8300-2:2018
- Monitors emergency assistance, pool/sauna, panic, medicine cabinets and fire/emergency door alarms
- Can be used as master and repeater on standalone systems; or as line creating Building block of AssistCallPro network.
- Fully monitored
- Stainless Steel Finish

Overview

AssistCall is a family of matching modules and line devices that provide a complete alarm system compliant to BS 8300-2:2018.

The systems comes in two formats:

AssistCall: Kits, controllers and line devices for single rooms or toilets that do not require distributed control and reporting.

AssistCallPro: Distributed, networkable system allowing up to 64 zones, rooms or alarm lines to be managed and maintained.

Applications

The 4 Zone controller can be used as a standalone panel to monitor up to 4 locations. Alternatively one to 16 4ZCs can be used as part of a 64 line AssistCallPro system.

Repeater Facility

When used non-networked the 4 Zone Control module can be used as a repeater panel, by altering a simple jumper connection.

Simple Installation

The system uses Cat5 or telecoms cable for interconnection of panels and can use a variety of cable types for the alarm circuits. For example: 2C 1mm T&E, 2C flex, 0.22mm security cable. Modules and line devices fit standard single and double gang back boxes.

Expandable to 64 locations

When combined with an AssistCallPro Touchscreen Network Controller 1-16 4 Zone Control Modules can be used to expand the system by adding 4 lines where required. Each control module has integral networking

Addressable PSU

The 4ZC uses a matching power supply unit (ViAC-PSU) which can sit anywhere on the network. Each power supply has an A and B 12volt 500mA fused output so it can power a total of 4 x 4 zone controllers. The power supply has its own location text.

Multiple alarm types

The system has been designed to be very flexible so is compatible with the full range of AssistCall devices. In addition, it can monitor pool alarms, panic alarms, general alarms, medicine cabinets and emergency exit monitoring.

4x Relay outputs

AssistCallPro has a matching relay module (ViAC-RLY), in its simplest form it mimics the outputs of the 4 zone controller i.e. if zone 1 triggers then relay 1 will activate. The relay controller takes power from the ViAC-PSU.

Four Zone Controller

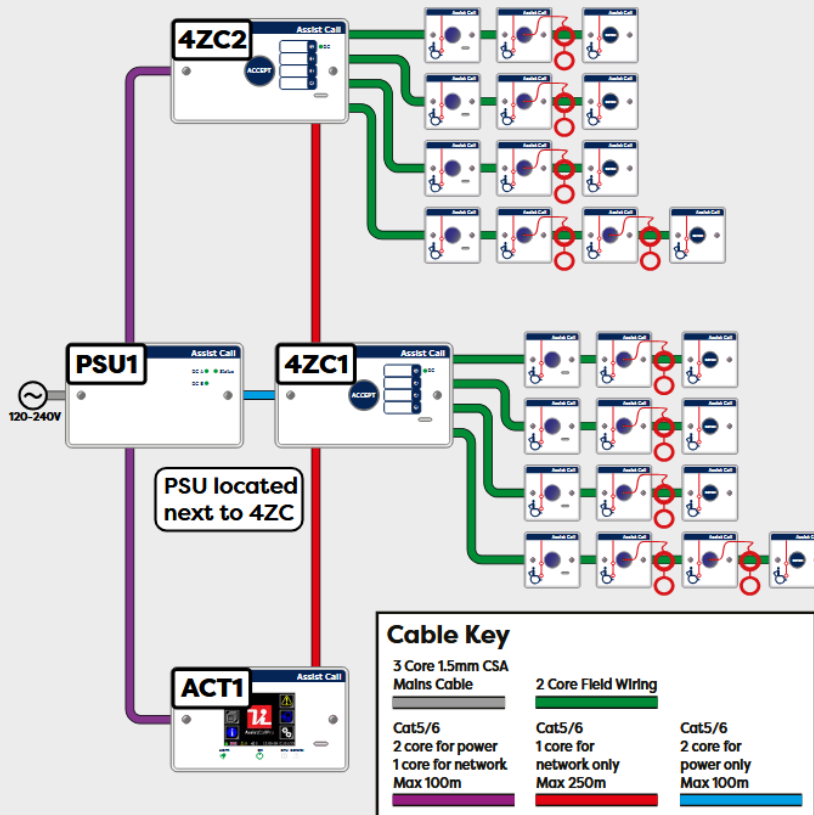
ViAC-4ZC-SS

Technical Specification

Details	ViAC-4ZC-SS	
Power		
Remote Power	Powered from ViAC-PSU	
Inputs		
Lines	4	
Voltage	12VDC Nominal	
Monitoring	Open and Short Circuit	
End of Line	10kΩ	
Alarm Field Cabling		
Type	Cores	Distance from 4ZC
LSF flex/ T&E	1.00mm	500m
1 pair Cat5/6 or security	0.22mm	50m
2 pair Cat5/6 or security	0.22mm	100m
Outputs		
Alarm Relay	1× Volt free NO, Com 24VDC 3A	
Cat5/6 Cabling Max Distances		
Power single pair	50m	
Power twin twisted pairs	100m	
Data single pair	250m	

Details	ViAC-4ZC-SS
Controls and Indications	
Accept Button	1× Push Button (with alarm indication)
	1× DC power indicator
Statutory indicators	1× general alarm indicator
	4× RGB line status indicators
Standards Compliance	
EMC	EN 55035:2017+A11:2020 EN 55032:2015+A1:2020
LVD	EN IEC62368-1:2020+A11:2020
Product Family	BS 8300-2:2018
Physical	
Height	86mm
Width	140mm
Depth	22mm
Weight	190g

Connections



For more information on these products, please contact us: