

IP66 Weatherproof Cancel Button

VIAC-CNP-66



The VIAC-CNP-66 weatherproof cancel button is fully compatible with the Lexicomm EVC range of equipment and the standalone AssistCall range.

- IP66 Weatherproof enclosure
- Ideal for showers/wet areas
- Stainless Fascia
- Polycarbonate Back box
- Flush or surface mounting
- BS 8300-2:2018 "Acknowledge" feature

Overview

The ViAC-CNP-66 is used to cancel the alarm; the cancel button is recommended for showers and other wet areas where a standard cancel may be unsuitable.

The cancel button is finished in brushed stainless steel with a blue indicator for the visual alarm.

Operation

The indicator flashes blue when the alarm is activated, when acknowledged it indicates steady. The button is a momentary sprung switch which cancels the alarm when pressed.

Generally, one cancel button is used, sometimes 2 units are required, if this is the case refer to Vox Ignis technical dept for guidance.

Mounting Information

It should be mounted at between 800mm to 1000mm with a lower call button mounted at 100mm from the floor. There are 5 x 20mm cable entries provided, at top, bottom and side entry, cable entry for the rear via cut-out is also provided. See drawings overleaf for full details.

Wiring Information

For simplicity, all wiring is a standard two core cable, the wiring order of the devices is not fixed and therefore can be wired in any order to give total flexibility.

IP66 Weatherproof Cancel Button

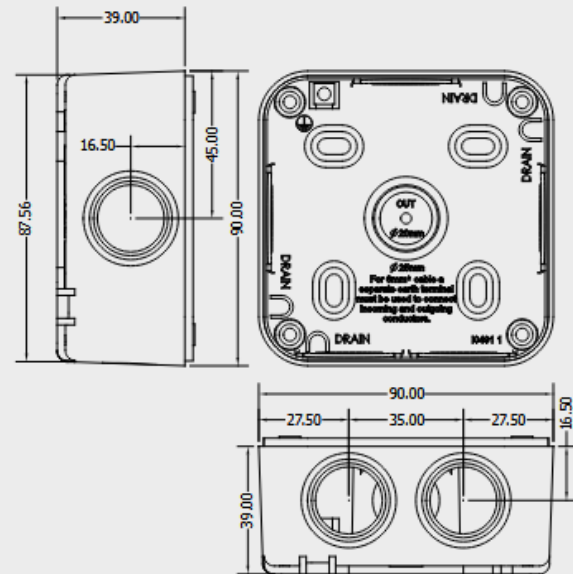
VIAC-CNP-66

Technical Specification

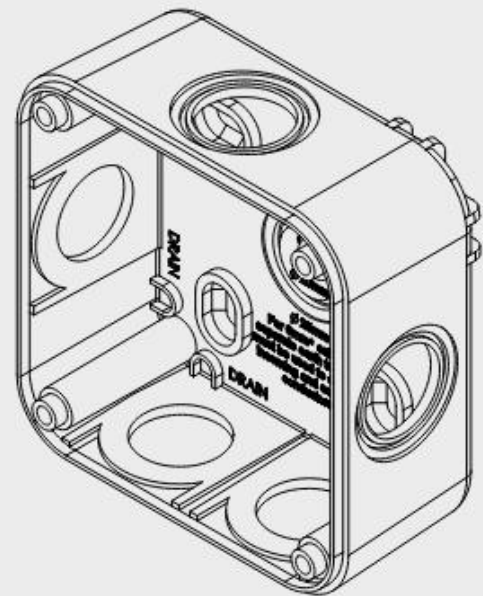
Details		VIAC-CNP-66
Physical		
Height		100mm
Width		100mm
Depth		60mm
Weight		250g
Material		Stainless Steel/ Tough polycarbonate
Finish		Brushed
Part Numbers		
Cancel Plate		VIAC-CNP-66
Recommended Cables		
Type	Cores	Distance from panel/controller
PVC or fire rated*	2 core 1mm	500m
Cat5/6	1 x pair 0.22mm	50m
Standards Compliance		
EMC		EMC EN 55035:2017+A11:2020 EN 55032:2015+A1:2020
LVD		EN IEC62368-1:2020+A11:2020
Product Family		BS 5839-9:2021 BS 8300-2:2018

*If connected to a Refuge Point

Mounting Box Detail



ISO View



For more information on these products, please contact us:



T: 00353 47 86274 / 00353 47 86663

E: Sales@irishsafety.com