

Addressable PSU Module

VIAC-PSU-SS



- Addressable PSU module for use with AssistCallPro ACT, 4ZC and RLY modules.
- 2× monitored 12VDC outputs.
- Compact size (double gang).
- Standby battery available
- Powers up to 4 AssistCallPro modules.
- Stainless Steel finish

Overview

AssistCall is a family of matching modules and line devices that provide a complete alarm system compliant to BS 8300-2:2018.

The systems come in two formats:

AssistCall: Kits, controllers and line devices for single rooms or toilets that do not require distributed control and reporting.

AssistCallPro: Distributed, networkable system allowing up to 64 zones, rooms or alarm lines to be managed and maintained.

Addressable - Provides Location

The ViAC-PSU-SS is a matching power supply unit which can sit anywhere on the AssistCallPro network. Each power supply has an A and B 12volt 500mA fused output so it can power a total of 4 AssistCallPro modules. The power supply has its own location text.

Simple Installation

The system uses Cat5 or telecoms cable for interconnection of panels and can use a variety of cable types for the alarm circuits. For example: 2C 1mm T&E, 2C flex, 0.22mm security cable. ViAC-PSUs are designed to fit standard UK 35mm double-gang back boxes.

Power for External Devices

The VIAC-PSU-SS can power pool alarms and other 12VDC devices up to the maximum output rating, minimising local mains power requirements for assistance and building alarms.

Optional Battery Standby

The ViAC-PSU-SS power module has the option for a standby battery, the ViAC-BAT-2. This will provide approximate standby time of 10 hours powering one module and 5 hours standby if powering two modules.

Addressable PSU Module

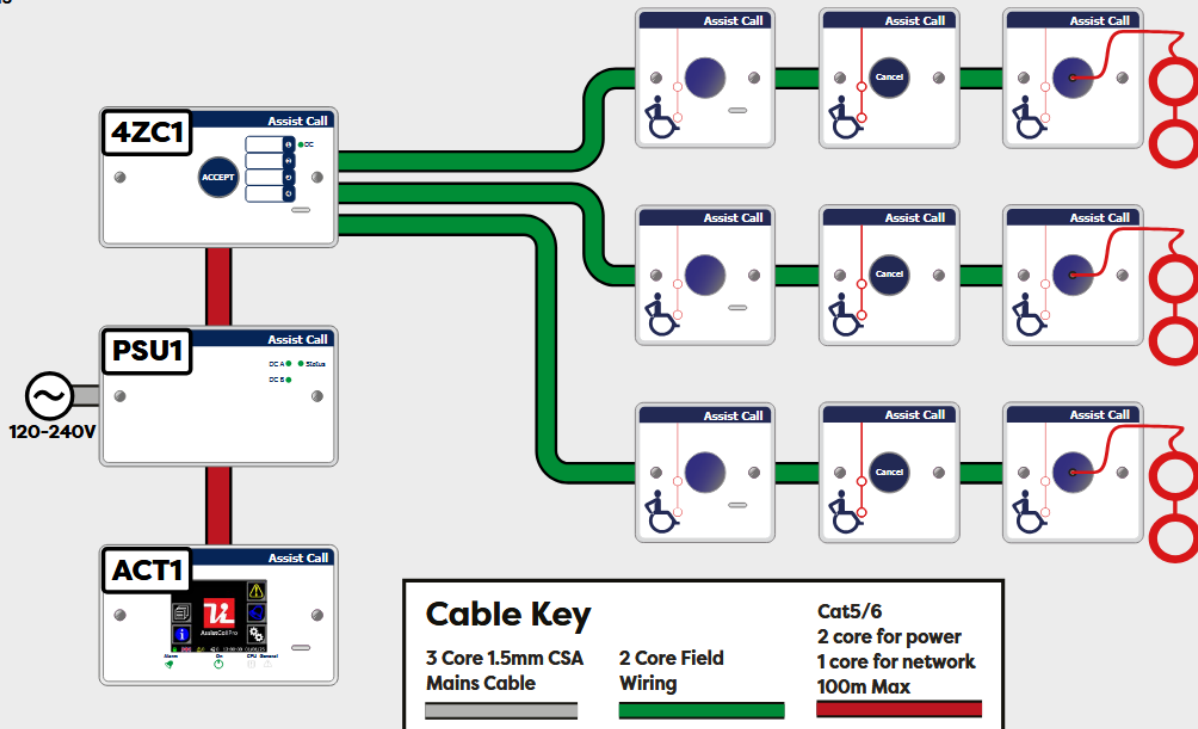
VIAC-PSU-SS

Technical Specification

Details	VIAC-PSU-SS
Power	
Mains Supply	230VAC
Outputs	2x 12VDC 500mA
Standby Battery	1x 12V 0.8AH (optional) VIAC-BAT-2
Standby Duration	1 module
	2 modules
Fuses	2x Outputs - 500mA
	1x Battery - 1A
Cat5/6 Cabling Max Distances	
Power single pair	50m
Power twin twisted pairs	100m
Data single pair	250m

Details	VIAC-PSU-SS
Controls and Indications	
Statutory indicators	1x AC/Battery status indicator
	1x Output A DC indicator
	1x Output B DC indicator
Standards Compliance	
EMC	EN 55035:2017+A11:2020 EN 55032:2015+A1:2020
LVD	EN IEC62368-1:2020+A11:2020
Product Family	BS 8300-2:2018
Physical	
Height	86mm
Width	140mm
Depth	22mm
Weight	230g

Connections



For more information on these products, please contact us: