

# GNEExCP7-PT Tool Reset Manual Signaling Box

The explosion proof GNEExCP7-PT tool reset push button Ex d manual call points feature a robust GRP enclosure with a 316 stainless steel mechanism and IP66/67 rating – manufactured for the harshest of hazardous environments.

Globally approved to IECEx, ATEX, UL and cUL standard for all Zone 1, 2, 21 & 22 and Class I/II Div 2 installations. Can also be specified for applications requiring compliance to the UL38 standard for Manual Signaling Boxes for Fire Alarm Systems or ULC-S528 Manual Stations For Fire Alarm Systems. Available with DIN rail terminals or the innovative E2S termination board with dedicated connections for field installed EOL and/or series devices. SIL 2 compliant to IEC 61508 (2010).



**Irish Safety Systems**  
DISTRIBUTORS TO THE FIRE INDUSTRY

## Features

- Corrosion proof GRP enclosure, anti-static & UV stable
- Ingress protection IP66/67/68, 4/4X/3R/13
- Single or double switch (SPCO/DPCO)
- 316 (A4) stainless steel mechanism
- 3 x cable entries, 2 x stopping plugs included

## Approvals

- UL/cUL certificate: 20190604-E482536, 20200224-E513632
- IECEx certificate: IECEx ULD 19.0007X
- ATEX certificate: DEMKO 19 ATEX 2101X
- UKCA certificate: UL21UKEX2134X
- INMETRO certificate IEx 23.0091X
- DNV certificate TAA000034V
- Ex EAC certified: EAC RU C-GB.AA71.B.00273/20
- PESO CCOE certified: P632054
- SIL 2 compliant to IEC 61508 (2010)
- CSFM listing: 7151-2279\_0509

## Coding

### • NEC / CEC:

Class I Div 2 Group ABCD T5 Ta -55°C to +70°C

Class I Div 2 Group ABCD T6 Ta -55°C to +60°C

Class II Div 2 Group FG T4 Ta -55°C to +60°C

Class III Div 1 & 2 Ta -55°C to +60°C

### • NEC:

Class I Zone 1 AEx db IIC T5 Gb (Ta -55°C to +70°C)

Class I Zone 1 AEx db IIC T6 Gb (Ta -55°C to +60°C)

Zone 21 AEx tb IIIC T135°C Db (Ta -55°C to +70°C)

Zone 21 AEx tb IIIC T125°C Db (Ta -55°C to +60°C)

### • CEC:

Class I Zone 1 Ex db IIC T5 Gb X (Ta -55°C to +70°C)

Class I Zone 1 Ex db IIC T6 Gb X (Ta -55°C to +60°C)

Zone 21 Ex tb IIIC T135°C Db (Ta -55°C to +70°C)

### • IECEx & ATEX:

II 2G Ex db IIC T5 Gb Ta. -55 to +70°C

II 2G Ex db IIC T6 Gb Ta. -55 to +60°C

II 2D Ex tb IIIC T90°C Db Ta. -55° to +70°C



**Specification**

**GNE xCP7-PT:** Latching push button with tool reset

**Temp. Range:** -55°C to +60°C/+70°C

**Switch:** Sealed – IP67

**Ingress protection:** IP66/67/68 to EN/IEC 60529  
4/4X/3R/13 to UL50E/NEMA250

**Enclosure matl:** GRP Glass Reinforced Polyester, anti-static & UV stable

**Colour:** Red  
-Other solid and striped colours available

**Lift flap:** Latching lift flap included as standard

**Cable entries:** 2 x M20x1.5 down facing and 1 x M20x1.5 side  
-Back box can be rotated to provide 2 x top facing and 1 x side entries  
-Cable entries adaptable to 1/2"NPT, 3/4"NPT & M25

**Stopping plugs:** 2 x Stopping plugs as standard  
-Brass, Nickel plated or Stainless Steel

**Terminals:** DIN rail 8 × 2.5mm<sup>2</sup> SAK2.5 or  
-Termination board featuring 6 × 2.5mm<sup>2</sup> terminals plus 4 x dedicated EOL & Series terminals

**Earth:** External M5 earth connection

**Relative Humidity:** R.H. 95% @ 20°C

**MTBF:** 479.6 years / 4,201,680 hours - MIL 217

**Weight:** 2.1Kg/4.63lbs

<b>Voltage Range:</b>	<b>Max input Current:</b>	<b>Limitations for EOL / Series Resistors:</b>
250Vac	Max 3.33A max	not permitted
48Vdc	Max 1.0A max	min. 2.2kOhm
24Vdc	Max 3.0A max	min. 470 Ohm

**EOL and Series Diode Values:**

<b>xxx:</b>	<b>Zener Value</b>	<b>Max. current supply permitted</b>
3V3	3.3V Diode	230mA
4V7	4.7V Diode	162mA
5V1	5.1V Diode	149mA
5V6	5.6V Diode	136mA
6V2	6.2V Diode	122mA

6V8	6.8V Diode	112mA
10V	10V Diode	76mA
12V	12V Diode	63mA

**Spares:**

SP70-0074	Spare GNExCP7-PT Reset Key
-----------	----------------------------

**Accessories:**

SP65-0001-A4	Pole Mount Bracket Kit St/St A4 (316)
--------------	---------------------------------------

SP65-0002-A4	Sunshade – St/St A4 (316)
--------------	---------------------------

**Part Codes**

<b>Version:</b>	<b>Part reference:</b>	<b>Description:</b>
Product type:	GNExCP7PT	Latching push button with tool reset
Switch type: [s]	S	SPCO/SPDT
	D	DPCO/DPDT
Terminals: [t]	D	DIN Rail 8 × SAK2.5
	X	Addressable module – select below
	P	Termination board: 6 × 2.5mm <sup>2</sup> terminals plus 4 × EOL & Series terminals
Lift flap: [l]	L	Lift flap supplied as standard
Cable entries: [e]	A	3 × M20x1.5mm
	B	2 × 1/2" NPT – adaptors
	C	2 × 3/4" NPT – adaptors
	D	2 × M25x1.5mm – adaptors
	E	1 × 1/2" NPT – adaptor
	F	1 × 3/4" NPT – adaptor
	G	1 × M25x1.5mm – adaptor
Stopping plug/ adaptor material: [m]	B	Brass
	P	Nickel Plated Brass
	S	Stainless Steel
Duty label/Equipment tag: [d]:	1	No Duty label, no Equip. tag
	2	Duty label Stainless Steel
	3	Duty label St/St + Equip. tag
	4	Duty label Metalised Polyester
	5	Duty label M. Poly. + Equip. tag
	6	Equip. tag only
	7	Special label requirements

Product version:	A	UL, cUL, IECEX, ATEX, INMETRO & PESO
[v]	F	UL38 & ULC-S528 Fire
		UL, cUL, IECEX, ATEX, INMETRO & PESO
	H	Honeywell TC809B1008 module*
	Z	Ziton A45E-2 module*
	M	Johnson Controls MIM800 module*
	C	Hochiki CHQ-CP2 monitor*
	P	Apollo XP95 mini module*
	E	Consilium IC10 module*
	S	Siemens XTRI-M module*
	D	Securiton SDI 82X-I module*
	L	Simplex 4090-9051 Supervised IAM*

**NOTE:**

**\* Versions with addressable modules do not include UL/cUL/ULC approval**

Product option: [o]	1	Standard product
	W	Alternate EOL & series wiring
	2	Duplicated EOL and/or series devices
	Y	Duplicated EOL and series–alternate wiring
	P	Parallel wiring with or without EOL/series
	V	Parallel with EOL and series alternate wiring

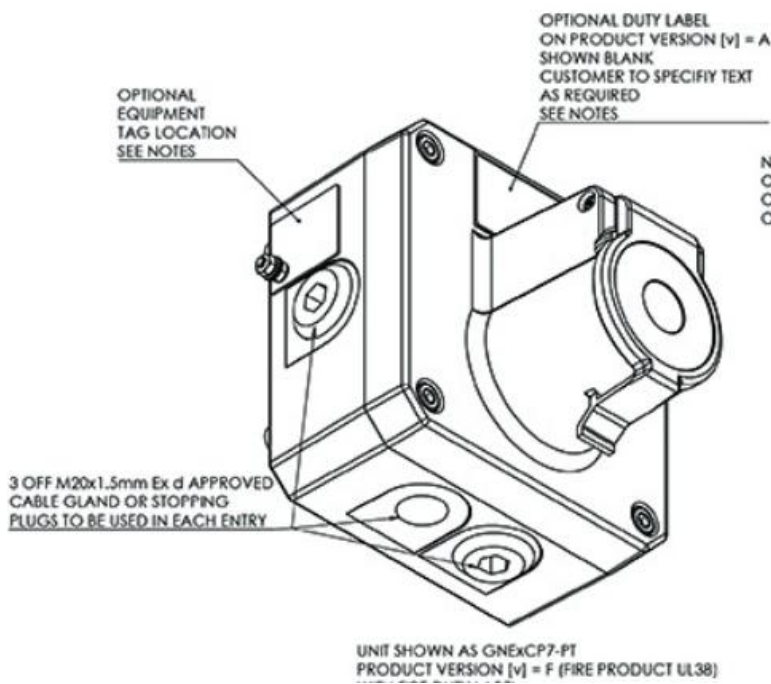
**NOTE:**

**Duplicated EOL/series and Parallel wiring only available with switch type ‘D’**

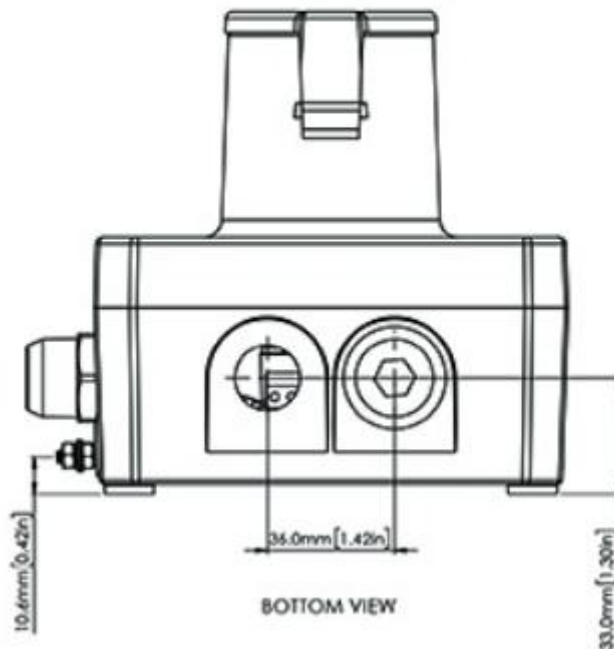
Enclosure colour:	R	Red (F version mandatory)
[x]	B	Blue
	N	Green
	Y	Yellow
	V	Red/White
	S	Yellow/Black
	K	Black
	M	Magenta
	Z	Red/Black
LED indicator: [u]	N	No LED required (F version mandatory)
	L	LED with 1.5K ballast resistor
	C	LED without ballast resistor

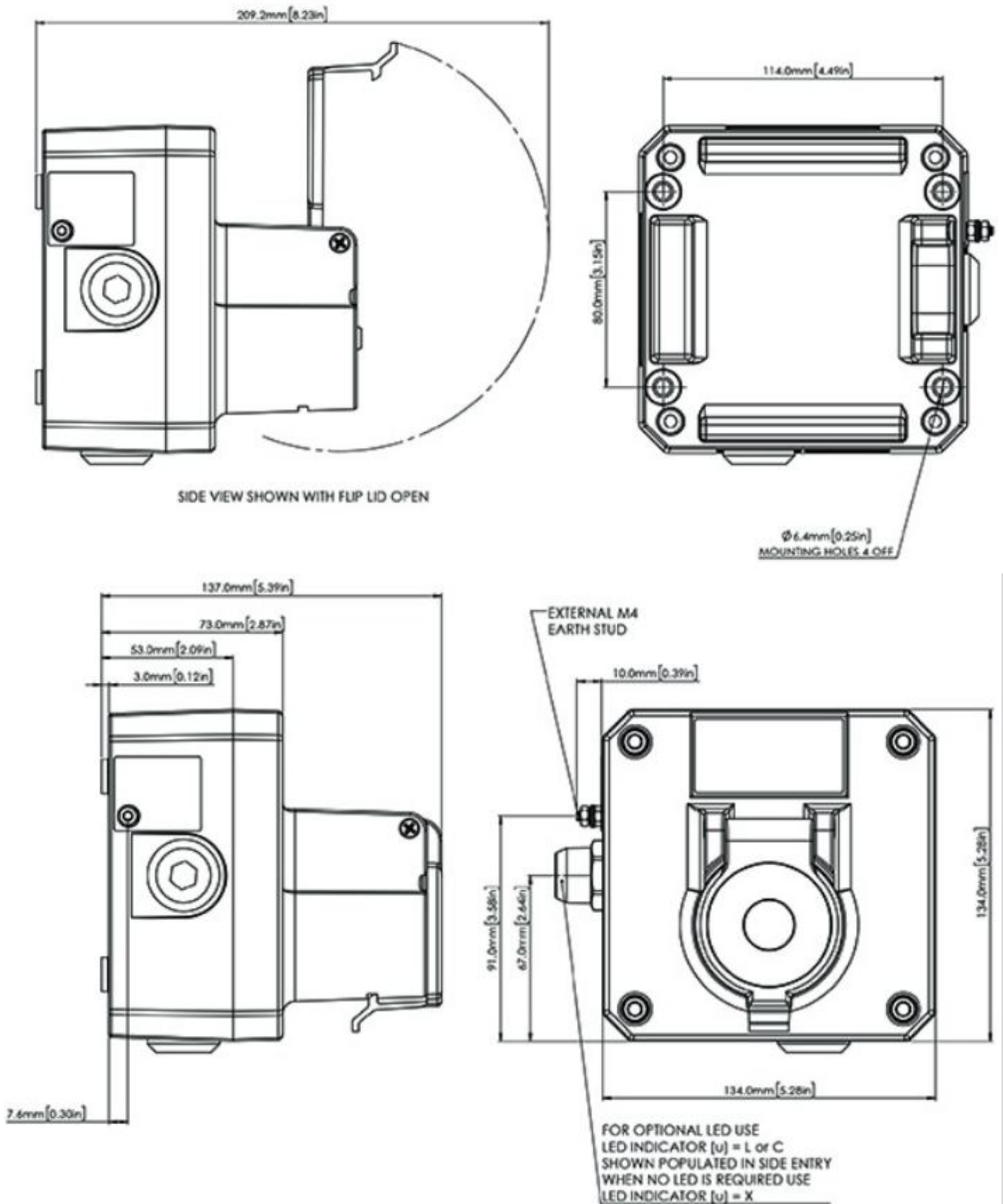
E.O.L.Module: [e]	ExxxR	Resistor value in Ohms e.g. E470R = 470 Ohm
	ED1	Diode IN4007 = ED1
	ExxxZ	Zener diode e.g. E5V1Z = 5.1V

Series Module: [s]	SxxxR	Resistor value in Ohms e.g. S1K5R = 1.5K Ohm
--------------------	-------	--



NOTE : BACK BOX CAN BE ORIENTATED WITH DUAL CABLE ENTRIES FACING UP OR DOWN





**NOTE**

F version only available with Duty label option 2 or 3. Mandatory duty label: "FIRE/FEU"

F version only available with Red enclosure

F version not available with LED indicator

All trademarks are the property of their respective owners

For more information on these products, please contact us:



T: 00353 47 86274 / 00353 47 86663

E: [Sales@irishsafetysystems.ie](mailto:Sales@irishsafetysystems.ie)