

# IS-mC1 IS-minialert

The IS-mC1 is a compact combined 100dB(A) alarm sounder and L.E.D. beacon – only one Zener barrier or galvanic isolator required to run both sounder & beacon or alternatively the unit can be operated as individual signals.

Approvals include ATEX, IECEx and GOST-R for Zone 0 applications and FM approval for Class I Division 1 and Class I Zone 0 applications.

## Features

- Input overload and reverse current protection
- End of line resistor certified
- Auto synchronised sound output
- Prismatic lens optimises L.E.D effectiveness
- Available with custom tone configurations and frequencies

## Approvals

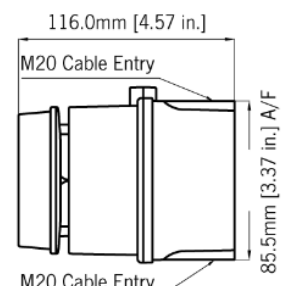
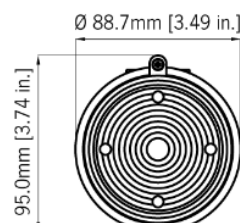
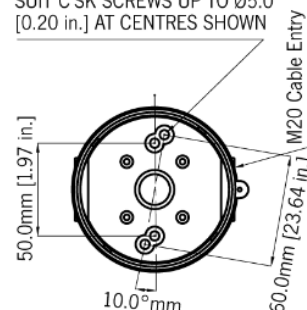
- ATEX certificate: SIRA 05ATEX2084X
- IECEx certificate: IECEx SIR 06.0045X
- FM approved
- GOST-R certificate: POCC GB.JB05.B03365



## Specification

Alarm sounder:	
Nominal output:	100dB(A) @ 1m +/- 3dB – Tone 2* [91dB(A) @ 10ft/3m]
No. of tones:	49 (UKOOA/PFEER compliant)
No. of stages:	3
Volume control:	Max. 100dB(A); Min. 90dB(A) – Tone 2
Effective range:	40m/131ft @ 1KHz
L.E.D. Beacon:	
Light source:	Array of 6 high intensity L.E.D's.
L.E.D. colours:	Red, Amber, Blue, Green & Clear
Flash modes:	Double flash at 2Hz and 1Hz
Effective intensity cd:	23cd* – measured ref. to I.E.S.
General:	
Voltage:	16-28vdc via Zener barrier or galvanic isolator
Combined current: approx:	30mA typical when powered from 24v< supply via 28v 300Ohm Zener barrier.
Ingress protection:	IP65
Rating:	Continuous
Enclosure material:	UL94V0 & 5VA FR ABS & PC
Enclosure colour:	RAL3000 Red
Fixings:	Stainless Steel
Cable entries:	2 x M20 clearance gland knockouts. Custom configurations also available.
MTBF:	141.63 years / 1,240,694 hours – MIL 217
Terminals:	0.5 to 2.5mm <sup>2</sup>
Operating temp:	-40° to +60°C [-40° to +140°F]
Storage temp:	-40° to +70°C [-40° to +158°F]
Relative humidity:	90% at 20°C [68°F]
Weight:	0.44Kg / 0.97lbs

2 PAIRS OF MOUNTING HOLES TO SUIT C'SK SCREWS UP TO Ø5.0 [0.20 in.] AT CENTRES SHOWN



For more information on these products, please contact us:



T: 00353 47 86274 / 00353 47 86663

E: [Sales@irishsafety.com](mailto:Sales@irishsafety.com)

## Part Codes

IS-mC1-R/[y]

ATEX / IECEx / FM

II 1G Ex ia IIC T4 Ga (-40°C ≤ Ta ≤ +60°C)

IS Class I, Division 1, Groups A, B, C, D T4

IS Class I, Zone 0, AEx ia IIC T4 Ta = +60°C

GOST-R

0ExialICT4 IP65 -40° to +60°C

[y]: LED colour:      A: Amber

                              B: Blue

                              G: Green

                              R: Red

                              C: Clear (white LED)

Please note: Blue and Green LED units employ a Clear lens

### Combined or Sounder only:

May be powered from any certified Zener barrier or galvanic isolator whose output parameters do not exceed :

Uo: 28vdc Io: 93mA Po: 660mW

### Beacon only:

May be powered from any certified Zener barrier or galvanic isolator whose output parameters do not exceed:

Uo: 28vdc Io: 660mA Po: 1.2W

## Tone Table

S1	Description	S2	S3
T 1	340 Hz Continuous	T 2	T 5
T 2	800/1000Hz @ 0.25 sec Alternating	T 17	T 5
T 3	500/1200Hz @ 0.3Hz 0.5 sec Slow Whoop	T 2	T 5
T 4	800/1000Hz @ 1Hz Sweeping	T 6	T 5
T 5	2400Hz Continuous	T 3	T 20
T 6	2400/2900Hz @ 7Hz Sweeping	T 7	T 5
T 7	2400/2900Hz @ 1Hz Sweeping	T 10	T 5
T 8	500/1200/500Hz @ 0.3Hz Sweeping	T 2	T 5
T 9	1200/500Hz @ 1Hz - DIN / PFEER P.T.A.P.	T 15	T 2
T 10	2400/2900Hz @ 2Hz Alternating	T 7	T 5

For more information on these products, please contact us:



T: 00353 47 86274 / 00353 47 86663

E: [Sales@irishsafety.com](mailto:Sales@irishsafety.com)

<b>S1</b>	<b>Description</b>	<b>S2</b>	<b>S3</b>
T 11	1000Hz @ 1Hz Intermittent	T 2	T 5
T 12	800/1000Hz @ 0.875Hz Alternating	T 4	T 5
T 13	2400Hz @ 1Hz Intermittent	T 15	T 5
T 14	800Hz 0.25sec on, 1 sec off Intermittent	T 4	T 5
T 15	800Hz Continuous	T 2	T 5
T 16	660Hz 150mS on, 150mS off Intermittent	T 18	T 5
T 17	544Hz (100mS)/440Hz (400mS) - NF S 32-001	T 2	T 27
T 18	660Hz 1.8sec on, 1.8sec off Intermittent	T 2	T 5
T 19	1.4KHz-1.6KHz 1s, 1.6KHz-1.4KHz 0.5s -NFC48-265	T 2	T 5
T 20	660Hz Continuous	T 2	T 5
T 21	554Hz/440Hz @ 1Hz Alternating	T 2	T 5
T 22	544Hz @ 0.875 sec. Intermittent	T 2	T 5
T 23	800Hz @ 2Hz Intermittent	T 6	T 5
T 24	800/1000Hz @ 50Hz Sweeping	T 29	T 5
T 25	2400/2900Hz @ 50Hz Sweeping	T 29	T 5
T 26	Bell	T 2	T 15
T 27	554Hz Continuous	T 26	T 5
T 28	440Hz Continuous	T 2	T 5
T 29	800/1000Hz @ 7Hz Sweeping	T 7	T 5
T 30	300Hz Continuous	T 2	T 5
T 31	660/1200Hz @ 1Hz Sweeping	T 26	T 5
T 32	Two T chime.	T 26	T 15
T 33	745Hz @ 1Hz Intermittent	T 2	T 5
T 34	1000 & 2000Hz @ 0.5 sec Alternating - Singapore	T 38	T 45
T 35	420Hz @ 0.625 sec Australian Alert	T 36	T 5
T 36	500-1200Hz 3.75sec /0.25sec. Australian Evac.	T 35	T 5
T 37	1000Hz Continuous - PFEER Toxic Gas	T 9	T 45
T 38	2000Hz Continuous	T 34	T 45
T 39	800Hz 0.25sec on, 1 sec off Intermittent	T 23	T 17
T 40	544Hz (100mS)/440Hz (400mS) - NF S 32-001	T 31	T 27
T 41	Motor Siren - slow rise to 1200 Hz	T 2	T 5
T 42	Motor Siren - slow rise to 800 Hz	T 2	T 5
T 43	1200 Hz Continuous	T 2	T 5
T 44	Motor Siren - slow rise to 2400 Hz	T 2	T 5
T 45	1KHz 1s on, 1s off Intermittent - PFEER Gen. ...	T 38	T 34
T 46	1200/500Hz @ 1Hz - DIN / PFEER P.T.A.P.	T 47	T 37
T 47	1KHz 1s on, 1s off Intermittent - PFEER Gen. ...	T 46	T 37
T 48	420Hz @ 0.625 sec Australian Alert	T 49	T 5
T 49	500-1200Hz 3.75sec /0.25sec. Australian Evac.	T 26	T 37

For more information on these products, please contact us:



T: 00353 47 86274 / 00353 47 86663

E: [Sales@irishsafetysystems.ie](mailto:Sales@irishsafetysystems.ie)